

Front pages of 2 granted US patents



US009872979B2

(12) **United States Patent**
Dar et al.

(10) **Patent No.:** **US 9,872,979 B2**
(45) **Date of Patent:** ***Jan. 23, 2018**

(54) **HEADSET FOR TREATMENT AND ASSESSMENT OF MEDICAL CONDITIONS**

(71) Applicant: **NEUROLIEF LTD.**, Yokneam Illit (IL)

(72) Inventors: **Amit Dar**, Kfar Hess (IL); **Jonathan Bar-Or**, Pardes Hana Karkur (IL); **Amir Cohen**, Ra'anana (IL); **Ron Belson**, Tel Aviv (IL)

(73) Assignee: **NEUROLIEF LTD.**, Yokneam Illit (IL)

(*) Notice: Subject to any disclaimer, the term of this patent is extended or adjusted under 35 U.S.C. 154(b) by 0 days.

This patent is subject to a terminal disclaimer.

(21) Appl. No.: **15/228,038**

(22) Filed: **Aug. 4, 2016**

(65) **Prior Publication Data**
US 2016/0339231 A1 Nov. 24, 2016

Related U.S. Application Data

(63) Continuation of application No. 14/849,868, filed on Sep. 10, 2015, now Pat. No. 9,433,774, which is a continuation-in-part of application No. PCT/IB2014/059858, filed on Mar. 15, 2014.

(60) Provisional application No. 61/786,701, filed on Mar. 15, 2013.

(51) **Int. Cl.**
A61N 1/00 (2006.01)
A61N 1/04 (2006.01)
A61N 1/36 (2006.01)
A61B 5/0478 (2006.01)
A61B 5/00 (2006.01)

(52) **U.S. Cl.**
CPC *A61N 1/0484* (2013.01); *A61B 5/0478* (2013.01); *A61B 5/6803* (2013.01); *A61N 1/0476* (2013.01); *A61N 1/0488* (2013.01); *A61N 1/0492* (2013.01); *A61N 1/36014* (2013.01)

(58) **Field of Classification Search**
CPC .. *A61N 1/0484*; *A61N 1/0476*; *A61N 1/0492*; *A61N 1/36014*; *A61B 5/6803*; *A61B 5/6814*; *A61B 5/683*; *A61B 5/6831*; *A61B 5/0478*

See application file for complete search history.

(56) **References Cited**

U.S. PATENT DOCUMENTS

2013/0079659 A1* 3/2013 Akhadov *A61B 5/0476* 600/544

* cited by examiner

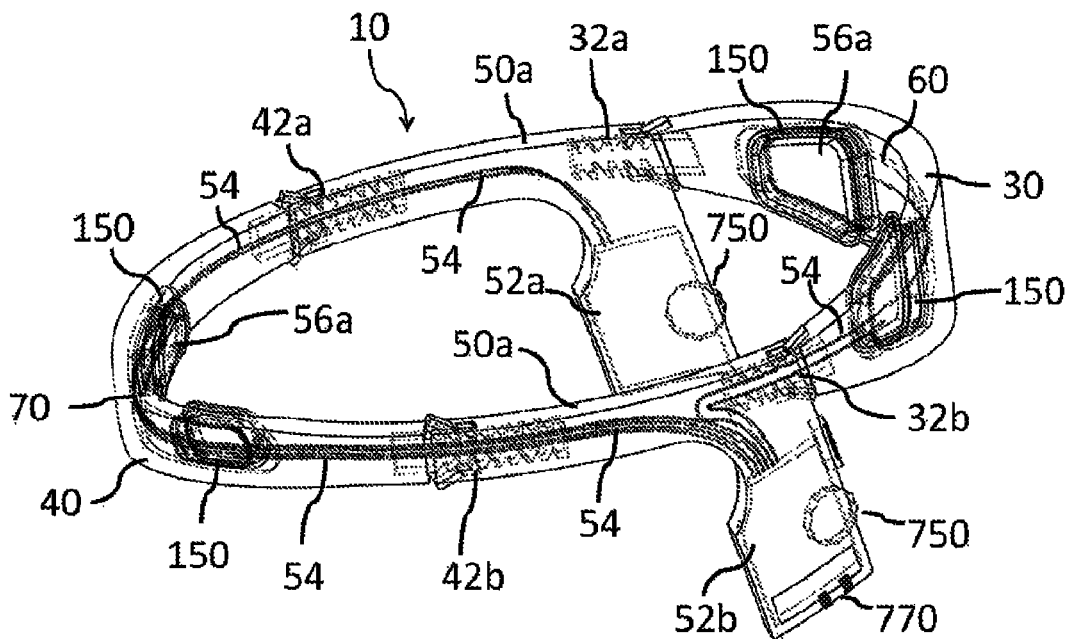
Primary Examiner — Robert N Wieland

(74) *Attorney, Agent, or Firm* — Marc Van Dyke

(57) **ABSTRACT**

A circumferential headset for use in delivering electrical stimulation to the skin surface of the head.

46 Claims, 15 Drawing Sheets





US009433774B2

(12) **United States Patent**
Dar et al.

(10) **Patent No.:** **US 9,433,774 B2**
(45) **Date of Patent:** **Sep. 6, 2016**

(54) **HEADSET FOR TREATMENT AND ASSESSMENT OF MEDICAL CONDITIONS**

1/0476; A61N 1/0492; A61N 1/36014;
A61N 1/0456; A61B 5/6803; A61B 5/6802;
A61B 5/6814; A61B 5/683; A61B 5/6831;
A61B 5/0478; A41F 1/008

(71) Applicant: **NEUROLIEF LTD.**, Yokneam Illit (IL)

See application file for complete search history.

(72) Inventors: **Amit Dar**, Kfar Hess (IL); **Jonathan Bar-Or**, Pardes Hana Karkur (IL); **Amir Cohen**, Ra'anana (IL); **Ron Belson**, Tel Aviv (IL)

(56) **References Cited**

U.S. PATENT DOCUMENTS

(73) Assignee: **NEUROLIEF LTD.**, Yokneam Illit (IL)

3,659,614	A	5/1972	Jankelson	
5,495,853	A	3/1996	Yasushi	
6,077,237	A *	6/2000	Campbell G06F 3/011 600/587
2001/0039444	A1	11/2001	Bar-Or et al.	
2007/0093706	A1 *	4/2007	Gevins A61B 5/0478 600/383
2010/0324441	A1 *	12/2010	Hargrove A61B 5/04004 600/544
2011/0301486	A1 *	12/2011	Van Hek A61B 5/6814 600/544
2011/0319975	A1 *	12/2011	Ho A61N 1/0408 607/139
2013/0079659	A1 *	3/2013	Akhadov A61B 5/0476 600/544

(*) Notice: Subject to any disclaimer, the term of this patent is extended or adjusted under 35 U.S.C. 154(b) by 0 days.

(21) Appl. No.: **14/849,868**

(22) Filed: **Sep. 10, 2015**

(65) **Prior Publication Data**

US 2015/0374971 A1 Dec. 31, 2015

(Continued)

Related U.S. Application Data

FOREIGN PATENT DOCUMENTS

(63) Continuation-in-part of application No. PCT/IB2014/059858, filed on Mar. 15, 2014.

WO	WO9743954	A1	11/1997
WO	WO2012079778	A1	6/2012
WO	WO2013001526	A2	1/2013

(60) Provisional application No. 61/786,701, filed on Mar. 15, 2013.

OTHER PUBLICATIONS

(51) **Int. Cl.**

A61N 1/00 (2006.01)
A61N 1/04 (2006.01)
A61N 1/36 (2006.01)
A61B 5/0478 (2006.01)
A61B 5/00 (2006.01)

International Search Report for PCT/IB2014/059858 dated Jul. 22, 2014.

(Continued)

(52) **U.S. Cl.**

CPC **A61N 1/0484** (2013.01); **A61N 1/0476** (2013.01); **A61N 1/0488** (2013.01); **A61N 1/0492** (2013.01); **A61N 1/36014** (2013.01); **A61B 5/0478** (2013.01); **A61B 5/6803** (2013.01)

Primary Examiner — Robert N Wieland

(74) *Attorney, Agent, or Firm* — Marc Van Dyke

(58) **Field of Classification Search**

CPC A61N 1/0484; A61N 1/0472; A61N

(57) **ABSTRACT**

A circumferential headset for use in delivering electrical stimulation to the skin surface of the head.

46 Claims, 15 Drawing Sheets

